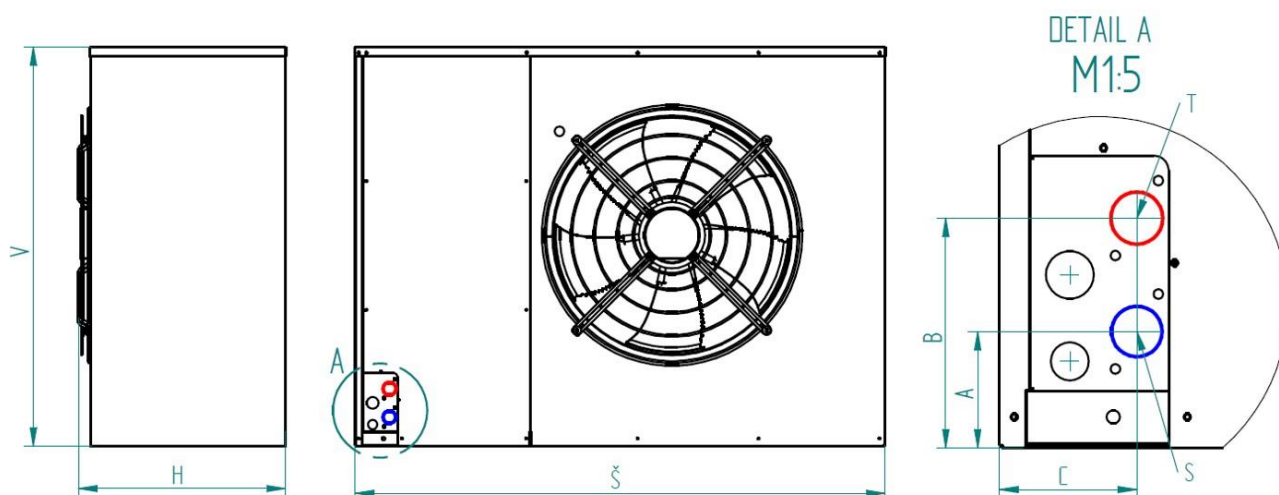


Dane Techniczne

Gwarancja na urządzenie 5 lat na sprężarkę 10 lat.

Model	izzifast R290 PRO-N	izzifast R290 PRO-R
Zasilanie jednostka wewnętrzna	3~N/PE/400V/50Hz; B16A	3~N/PE/400V/50Hz; B20A
Zasilanie jednostka zewnętrzna	1~N/PE/230V/50Hz; B16A	3~N/PE/400V/50Hz; B20A
Moc grzewcza	1 do 7 kW	3 do 18 kW
COP A7/W35 EN14511	4,9	5,22
Poziom ciśnienia akustycznego (w warunkach A7/W55 zgodnie z normą EN 12 102)	48,4	49,3
Typ sprężarki	Scroll	Scroll
Maksymalny pobór mocy jednostka zewnętrzna [A]	13	12
Prąd startowy [A]	5	5
Klasa ochrony	IP44	IP44
Czynnik chłodniczy	R290	R290
Czynnik chłodniczy [kg]	1,35	2,75
Chłodzenie	Tak	Tak
Maksymalna wartość wysokiego ciśnienia [bar]	26	26
Maksymalna wartość niskiego ciśnienia [bar]	26	26
Zakres działania [°C] *poniżej zakresu działanie jest możliwe bez gwarancji parametrów pracy	-22 to 35	-22 to 35
Zakres temperatury wody grzewczej [°C]	20 to 70	20 to 70
Przepływ wody grzewczej [m ³ /h]	0,5 to 3	0,5 to 3

Wymiary urządzenia



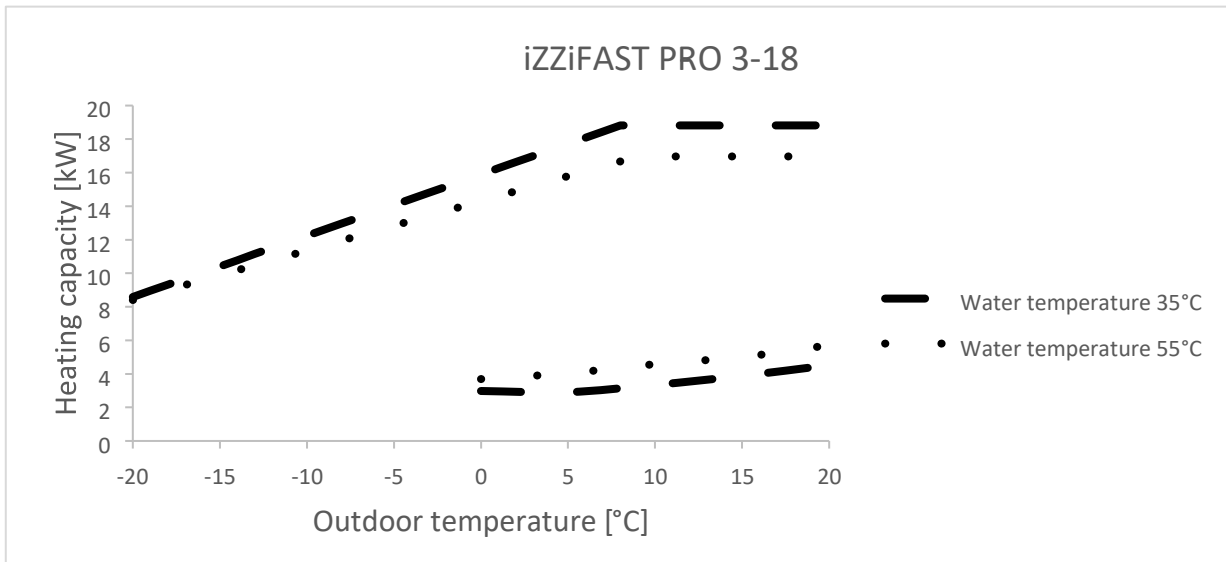
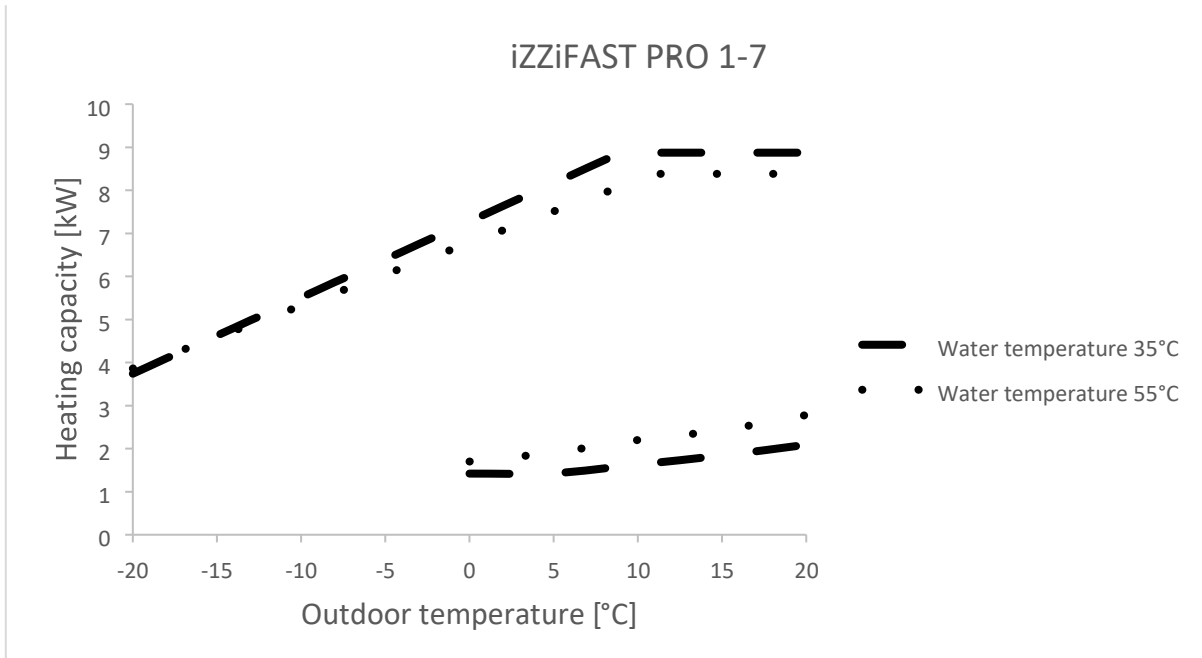
Model	izzifast PRO-N	izzifast PRO-R
V [mm]	740	1070
S [mm]	1130	1430
H [mm]	500	560
A [mm]	110	90
B [mm]	107	78
C [mm]	183	154
Waga[kg]	115	195
T – ciepła woda[mm]	G1" DIN ISO 228	G1" DIN ISO 228
S – zimna woda [mm]	G1" DIN ISO 228	G1" DIN ISO 228

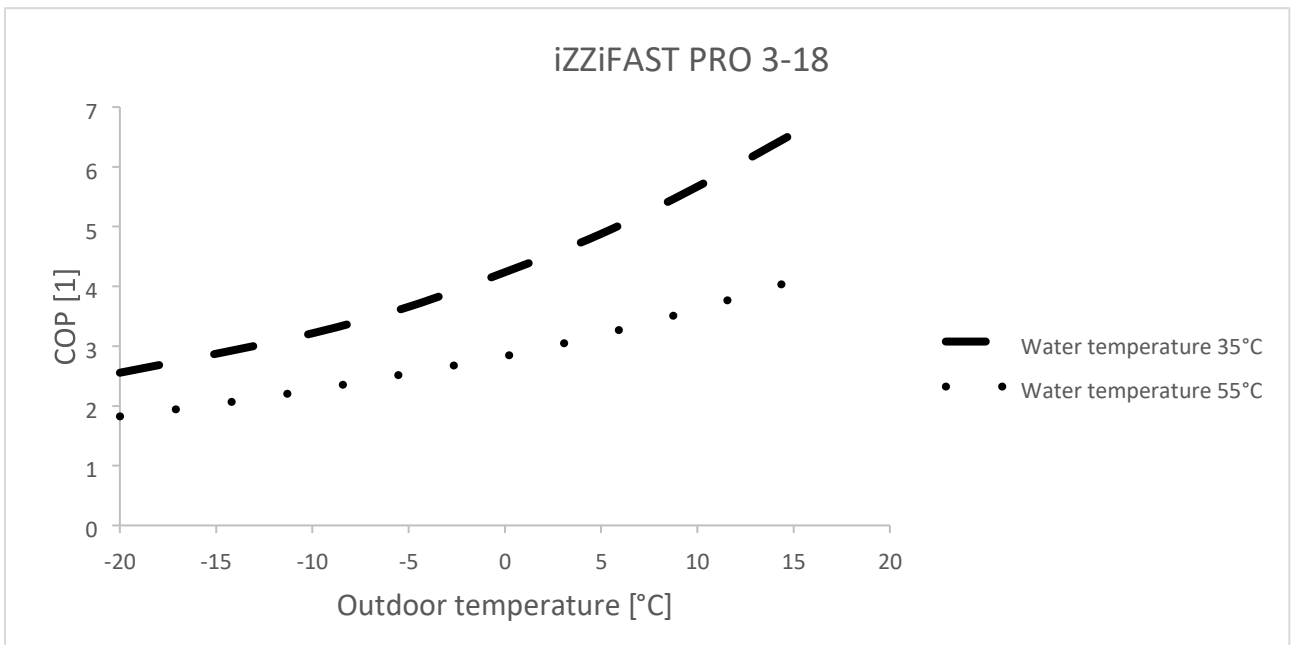
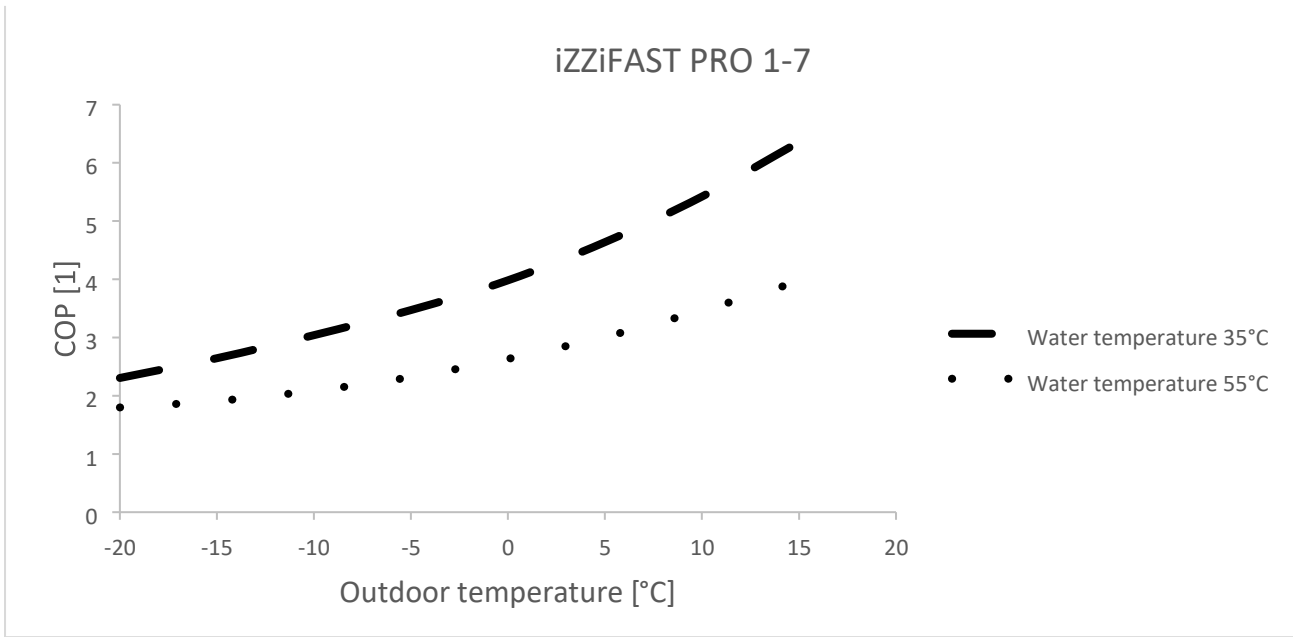
Parametry pracy

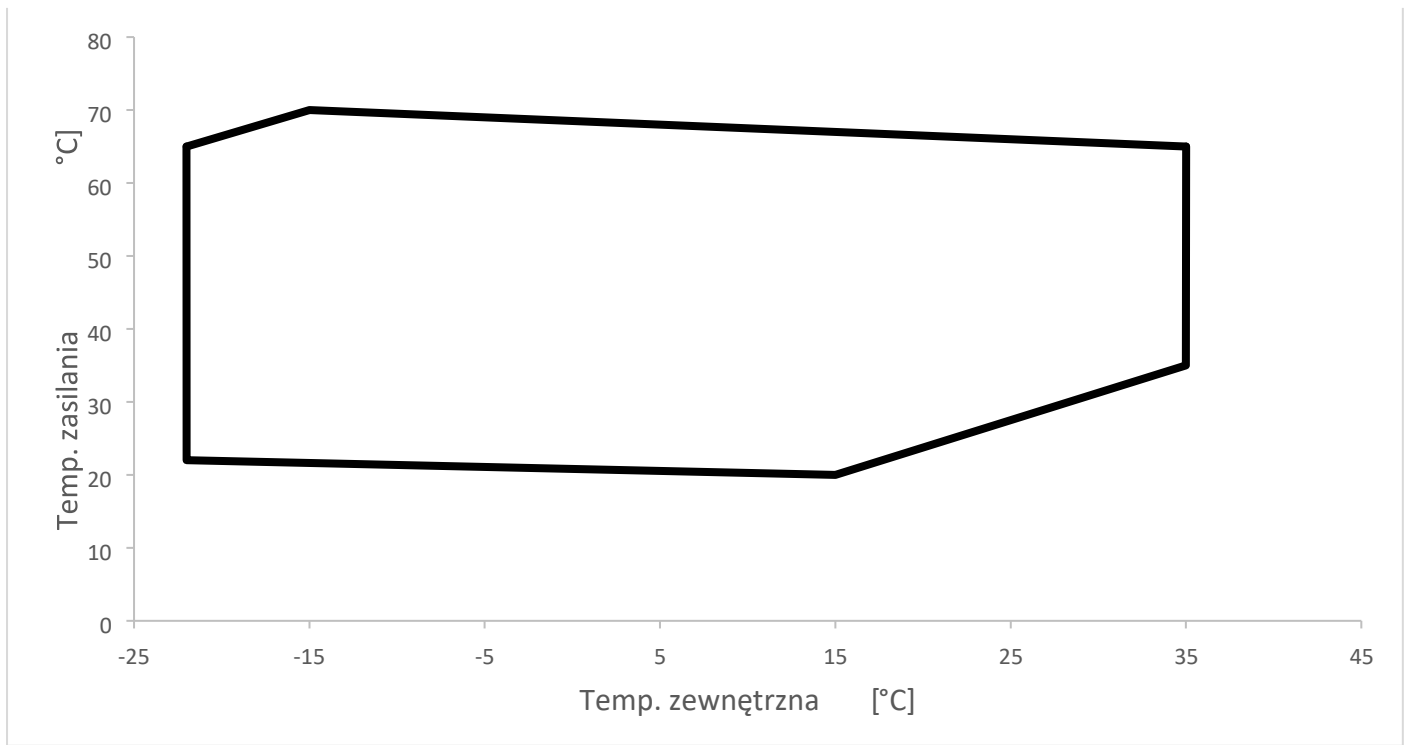
Model	izzifast PRO-N	izzifast PRO-R
Parametry pracy zgodnie z normą EN 14 511		
Moc grzewcza x COP przy A7/W35 [kW x 1]	3,28 x 4,9	6,77 x 5,22
Moc grzewcza x COP przy A2/W35 [kW x 1]	2,74 x 4,31	5,7 x 4,49
Moc grzewcza x COP przy A7/W55 [kW x 1]	3,87 x 3,28	7,41 x 3,29
Parametry pracy z termostatem pokojowym dla zasilania 35C wg normy EN 14 825		
Moc grzewcza x COP przy A12/W27 [kW x 1]	1,81 x 6,27	4,05 x 7,11
Moc grzewcza x COP przy A7/W27 [kW x 1]	1,63 x 5,55	3,81 x 6,33
Moc grzewcza x COP przy A2/W30 [kW x 1]	2,54 x 4,94	5,46 x 5,03
Moc grzewcza x COP przy A-7/W34 [kW x 1]	4,17 x 3,14	9,23 x 3,24
Parametry pracy z termostatem pokojowym dla zasilania 55C wg normy EN 14 825		
Moc grzewcza x COP przy A12/W35 [kW x 1]	1,76 x 5,36	3,88 x 5,92
Moc grzewcza x COP przy A7/W36 [kW x 1]	1,6 x 4,41	3,52 x 4,97
Moc grzewcza x COP przy A2/W42 [kW x 1]	2,48 x 3,74	5,53 x 3,87
Moc grzewcza x COP przy A-7/W52 [kW x 1]	4,08 x 2,38	9 x 2,5
Parametry dla klimatu umiarkowanego z termostatem pokojowym		
P _{rated} x SCOP W35 [kW x 1]	4,71 x 4,74	10,38 x 5,05
P _{rated} x SCOP W55 [kW x 1]	4,61 x 3,68	10,17 x 3,93
Parametry dla klimatu ciepłego z termostatem pokojowym		
P _{rated} x SCOP W35 [kW x 1]	4,52 x 5,54	9,53 x 6,27
P _{rated} x SCOP W55 [kW x 1]	4,41 x 4,17	9,19 x 4,79
Parametry dla klimatu zimnego z termostatem pokojowym		
P _{rated} x SCOP W35 [kW x 1]	6,9 x 3,83	15,21 x 4,15
P _{rated} x SCOP W55 [kW x 1]	6,8 x 3,19	14,74 x 3,36

Model		izzifast PRO-N		izzifast PRO-R	
Temperatura wody grzewczej [°C]		35	55	35	55
Klimat umiarkowany	Klasa energetyczna	A+++	A++	A+++	A+++
	Sezonowy współczynnik efektywności [%]	187	144	199	155
	Roczne zużycie energii [kWh]	2053	2588	4246	5351
Klimat Ciepły	Klasa energetyczna	A+++	A+++	A+++	A+++
	Sezonowy współczynnik efektywności [%]	219	164	248	189
	Roczne zużycie energii [kWh]	1089	1412	2029	2562
Klimat Zimny	Klasa energetyczna	A+++	A++	A+++	A++
	Sezonowy współczynnik efektywności [%]	150	125	163	131
	Roczne zużycie energii [kWh] [kWh]	4442	5256	9037	10815

Wykres mocy grzewczej i COP







Model(s):				izzifast PRO-N			
Air-to-water heat pump: (yes/no)				yes			
Brine-to-water heat pump: (yes/no)				no			
Water-to-water heat pump: (yes/no)				no			
Low-temperature heat pump: (yes/no)				no			
Equipped with a supplementary heater: (yes/no)				no			
Heat pump combination heater: (yes/no)				no			
Application: (low temperature/medium temperature)				medium temperature			
Climate: (colder/average/warmer)				average			
Item	Symbol	Value	Unit	Item	Symbol	Value	Unit
Rated heat output (1)	Prated	5	kW	Seasonal heating energy efficiency	η_s	144	%
Declared capacity for heating for part load at indoor temperature 20 °C and outdoor temperature T_j				Declared coefficient of performance or primary energy ratio for part load at indoor temperature 20 °C and outdoor temperature T_j			
$T_j = -7^\circ\text{C}$	Pdh	4,1	kW	$T_j = -7^\circ\text{C}$	COPd	2,4	-
$T_j = +2^\circ\text{C}$	Pdh	2,5	kW	$T_j = +2^\circ\text{C}$	COPd	3,7	-
$T_j = +7^\circ\text{C}$	Pdh	1,6	kW	$T_j = +7^\circ\text{C}$	COPd	4,4	-
$T_j = +12^\circ\text{C}$	Pdh	1,8	kW	$T_j = +12^\circ\text{C}$	COPd	5,4	-
$T_j =$ bivalent temperature	Pdh	4,6	kW	$T_j =$ bivalent temperature	COPd	2,1	-
$T_j =$ operation limit temperature	Pdh	4,6	kW	$T_j =$ operation limit temperature	COPd	2,1	-
For air-to-water heat pumps: $T_j = -15^\circ\text{C}$ (if TOL < -20°C)	Pdh	-	kW	For air-to-water heat pumps: $T_j = -15^\circ\text{C}$ (if TOL < -20°C)	COPd	-	-
Bivalent temperature	Tbiv	-10	°C	For air-to-water heat pumps: operation limit temperature	TOL	-10	°C
Cycling interval capacity for heating	Pcych	-	kW	Cycling interval capacity for heating	COPcyc	-	-
Degradation co-efficient (2)	Cdh	0,9	-	Heating water operating limit temperature	WTOL	70	°C
Power consumption in modes other than active mode				Supplementary heater			
Off mode	P _{OFF}	0,016	kW	Rated heat output (1)	Psup	0	kW
Thermostat-off mode	PTO	0,016	kW	Type of energy input	Electric		
Standby mode	PSB	0,016	kW				
Crankcase heater mode	PCK	0	kW				
Other items							
Capacity control	variable			For air-to-water heat pumps: Rated air flow rate, outdoors	-	1600	m ³ /h
Sound power level, indoors/outdoors	L _{WA}	-/48,4	dB	For water-/brine-to-water heat pumps: Rated brine or water flow rate, outdoor heat exchanger	-	-	m ³ /h
Emissions of nitrogen oxides	NO _x	-	mg/kWh				
For heat pump combination heater:							
Declared load profile	-			Water heating energy efficiency	η_{wh}		%
Daily electricity consumption	Q _{elec}	-	kWh	Daily fuel consumption	Q _{fuel}		kWh
Contact details	Acond a.s., Štěrboholská 1434/102a, 102 00 Praha 10 – Hostivař, Česká republika						

Model(s):	izzifast PRO-R
-----------	----------------

Air-to-water heat pump: (yes/no)				yes			
Brine-to-water heat pump: (yes/no)				no			
Water-to-water heat pump: (yes/no)				no			
Low-temperature heat pump: (yes/no)				no			
Equipped with a supplementary heater: (yes/no)				no			
Heat pump combination heater: (yes/no)				no			
Application: (low temperature/medium temperature)				medium temperature			
Climate: (colder/average/warmer)				average			
Item	Symbol	Value	Unit	Item	Symbol	Value	Unit
Rated heat output (1)	Prated	10	kW	Seasonal heating energy efficiency	η_s	155	%
Declared capacity for heating for part load at indoor temperature 20 °C and outdoor temperature Tj				Declared coefficient of performance or primary energy ratio for part load at indoor temperature 20 °C and outdoor temperature Tj			
Tj = -7°C	Pdh	9	kW	Tj = -7°C	COPd	2,5	-
Tj = +2°C	Pdh	5,5	kW	Tj = +2°C	COPd	3,9	-
Tj = +7°C	Pdh	3,5	kW	Tj = +7°C	COPd	5	-
Tj = +12°C	Pdh	3,9	kW	Tj = +12°C	COPd	6,1	-
Tj = bivalent temperature	Pdh	10,2	kW	Tj = bivalent temperature	COPd	2,1	-
Tj = operation limit temperature	Pdh	10,2	kW	Tj = operation limit temperature	COPd	2,1	-
For air-to-water heat pumps: Tj = -15°C (if TOL <-20°C)	Pdh	-	kW	For air-to-water heat pumps: Tj = -15°C (if TOL <-20°C)	COPd	-	-
Bivalent temperature	Tbiv	-10	°C	For air-to-water heat pumps: operation limit temperature	TOL	-10	°C
Cycling interval capacity for heating	Pcyc	-	kW	Cycling interval capacity for heating	COPcyc	-	-
Degradation co-efficient (2)	Cdh	0,9	-	Heating water operating limit temperature	WTOL	70	°C
Power consumption in modes other than active mode				Supplementary heater			
Off mode	P _{OFF}	0,016	kW	Rated heat output (1)	P _{sup}	0	kW
Thermostat-off mode	PTO	0,016	kW	Type of energy input	Electric		
Standby mode	PSB	0,016	kW				
Crankcase heater mode	PCK	0	kW				
Other items							
Capacity control	variable			For air-to-water heat pumps: Rated air flow rate, outdoors	-	3400	m ³ /h
Sound power level, indoors/outdoors	L _{WA}	-49,3	dB	For water-/brine-to-water heat pumps: Rated brine or water flow rate, outdoor heat exchanger	-	-	m ³ /h
Emissions of nitrogen oxides	NO _x	-	mg/kWh				
For heat pump combination heater:							
Declared load profile	-			Water heating energy efficiency	η_{wh}		%
Daily electricity consumption	Q _{elec}	-	kWh	Daily fuel consumption	Q _{fuel}		kWh
Contact details	Acond a.s., Štěrboholská 1434/102a, 102 00 Praha 10 – Hostivař, Česká republika						

(1) For heat pump space heaters and heat pump combination heaters, the rated heat output *Prated* is equal to the design load for heating *Pdesignh*, and the rated heat output of a supplementary heater *Psup* is equal to the supplementary capacity for heating *sup(Tj)*.

(2) If *Cdh* is not determined by measurement then the default degradation coefficient is *Cdh* = 0,9.

